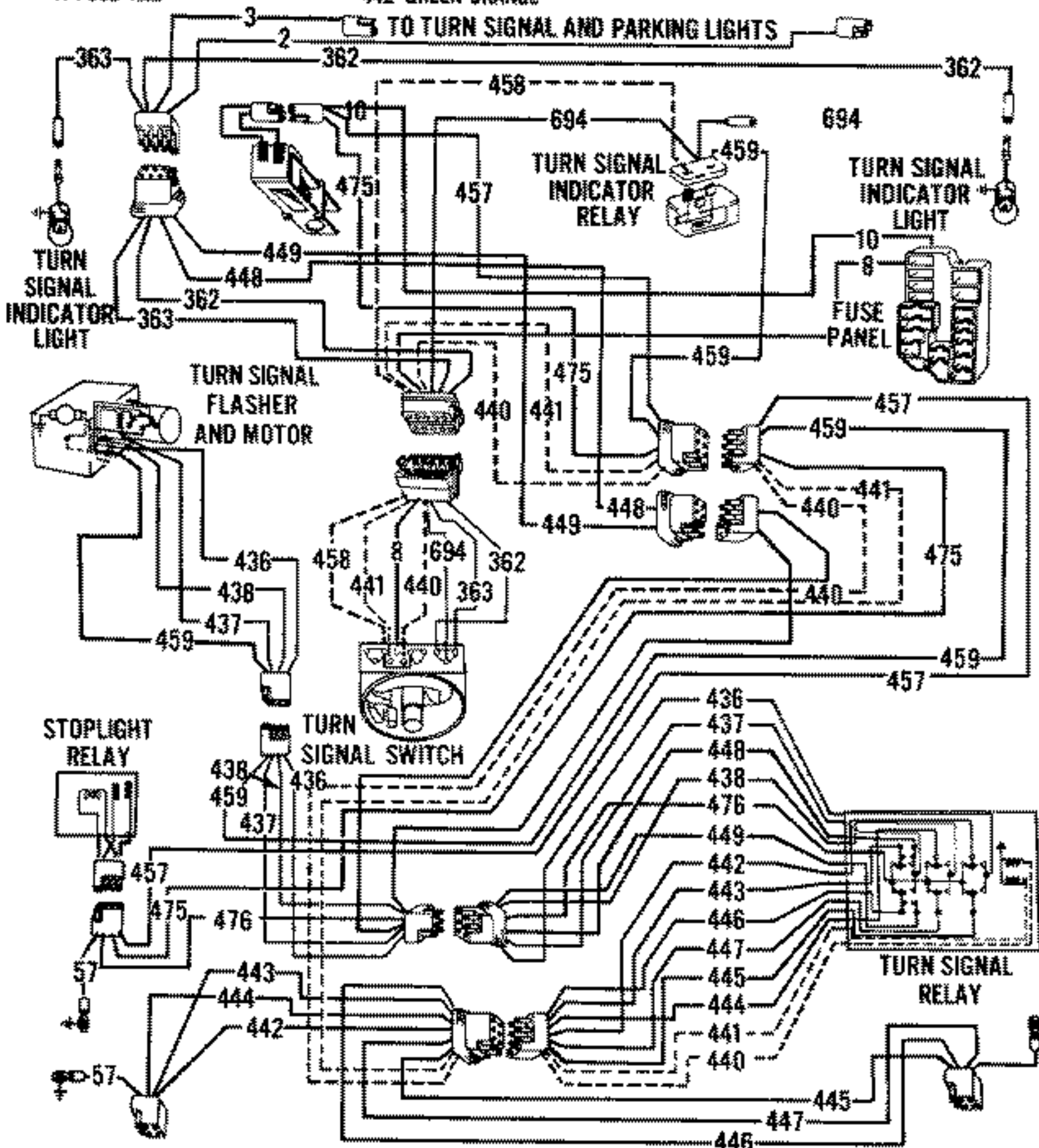


WIRING COLOR CODE

449 2 WHITE-BLUE	436 363 YELLOW	444 GREEN-BLACK	457 BROWN-WHITE
475 440 3 GREEN-WHITE	437 YELLOW-RED	445 ORANGE-BLUE	458 ORANGE-BLACK
8 ORANGE-YELLOW	438 YELLOW-BLACK	446 ORANGE-WHITE	459 ORANGE-GREEN
443 10 GREEN-RED	440 WHITE	447 ORANGE-RED	476 GREEN
57 BLACK	441 VIOLET	694 456 BROWN	• SPLICE
474 362 RED	442 GREEN-ORANGE		



- | | |
|---|---|
| <ul style="list-style-type: none"> POWER SOURCE (RED) STOPLIGHT CIRCUIT (GREEN) FLASHER MOTOR CIRCUIT (RED-WHITE) | <ul style="list-style-type: none"> FLASHER SEQUENCE CIRCUIT (BLUE) LEFT-HAND TURN CIRCUIT (GREEN-WHITE) RIGHT-HAND TURN CIRCUIT (BLUE-WHITE) |
|---|---|

(Illustration 17001.3-11 — Rear Sequential Turn Signals)